

Suggestion date:

Name, Address			
E- Mail			
Phone		Handy	
Dealer		Type:	
Chassis Number		odometer	
first registration		Order- number	

The order for repair is issued as by the known Carthago terms and conditions. In case the vehicle is not my possession, I confirm formally to act on order of the owner of the vehicle. Only the points listed below, will be treated and repaired. If the time planned won't reach to carry out the repair, I agree to settle a new appointment so the job can be finished. Carthago Reisemobilbau acts in order of the dealer as mentioned above. Requirements about travel expenses etc. to Carthago won't be accepted. If customer's equipment and objects in the vehicle should handicap the achievement of the repair, the customer will be obliged to pay resulting extra costs.

Date/Signature customer _____

	Repair	Spare parts	WA	AW	OK
1					
2					
3					
4					
5					
6					
7					
8					
9					
10					
11					
12					
14					
15					

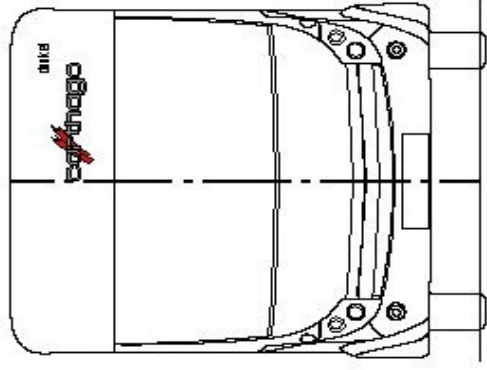
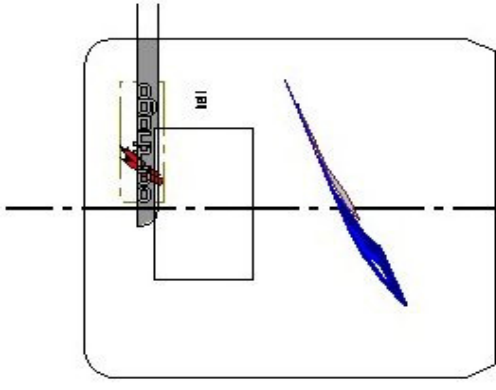
The vehicle has been inspected together with the customer. All points as mentioned above have been fixed and the repair has been shown and explained to the customer. **The customer takes his vehicle in good order and condition and free from defects**. This is confirmed by his signature.

Date

Signature CSC/Manager

Signature customer

Pos	Repair / Description	Signature mechanic
1		
2		
3		
4		
5		
6		
7		
8		
9		
10		
11		
12		
13		
14		
15		



Kundendienst
Chic 471
Datum: -----

